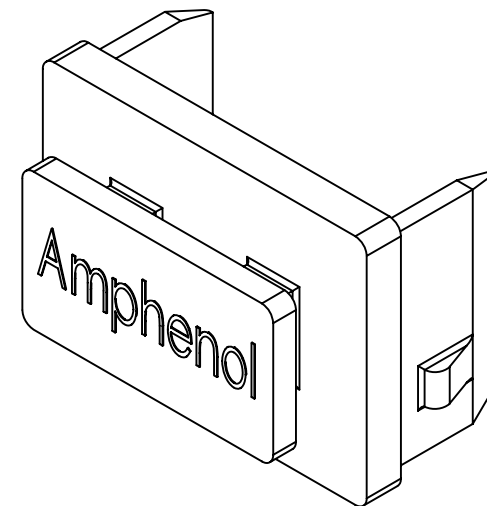
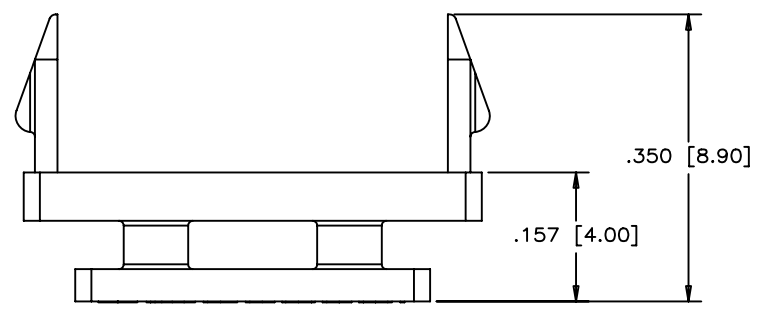
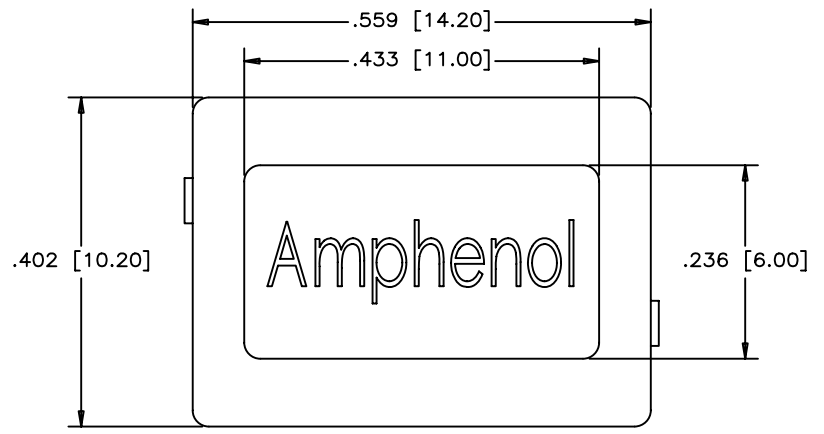


REVISIONS				
SYM	ZONE	ECN, ERN NO.	DATE	APPRD.
A		PROPOSAL	2006/01/12	
B		REVISED	JAN04/08	
C		UPDATED	JAN22/08	

THIS IS A CAD DRAWING. DO NOT MANUALLY REVISE.



ISOMETRIC VIEW



MATERIAL:
THERMOPLASTIC, FLAMMABILITY UL 94 V-0,
COLOR BLACK.

DRAWN	J.SI	DATE	2006/01/11	Amphenol Canada Corp.	
DESIGNED	J.SI	DATE	2006/01/11		
CHECKED					
I. E. APPRD.					
Q. A. APPRD.					
DWG. APPRD.				TITLE	DUST COVER SFP GAGE
ENG. REL. NO.				DWG	DRAWING NO.
REF.				A	P-U77-A1110-8000P
DIMENSIONS ARE IN			CODE ID. NO.	SCALE	WT.
INCHES (mm)			03554	4:1	SURF. SHEET 1 OF 1

THIS DOCUMENT CONTAINS PROPRIETARY INFORMATION AND SUCH INFORMATION MAY NOT BE DISCLOSED TO OTHERS FOR ANY PURPOSE OR USED FOR MANUFACTURING PURPOSES WITHOUT WRITTEN PERMISSION FROM AMPHENOL CANADA CORP.